

## COE-SE-808-300W-F

### Main Features

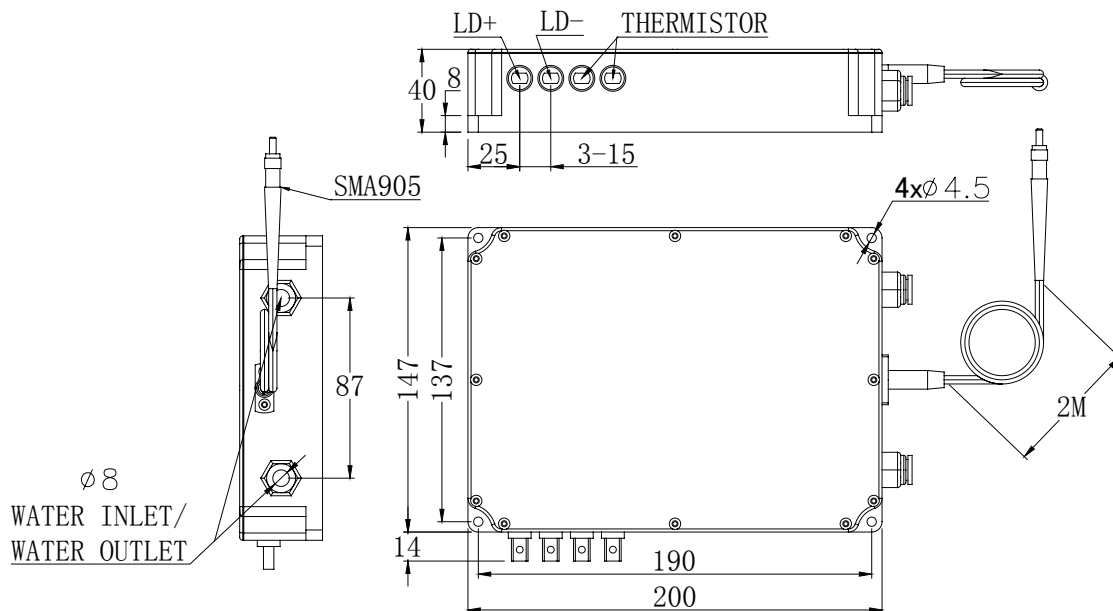
- ◆ AuSn Solder Assembly, Higher Reliability
- ◆ Wavelength 755nm,810nm,1060nm
- ◆ Customized geometries available



### Applications

- ◆ Medical & Aesthetics
- ◆ Pumping

### Dimensions(mm)



\* Customized dimensions available upon request

Characteristics (Typical values T=25° C )				
	Min.	Typ.	Max.	Units
<b>Optical Parameters</b>				
Output Power (CW)		300		W
Central Wavelength	810			nm
Wavelengths Tolerance	+/-30			nm
Spectra Width( $\Delta \lambda$ )		5		nm
Wavelength Temperature Coefficient		0.3		nm/°C
<b>Electrical Parameters</b>				
Operating Current			100	A
Threshold Current		15	20	A
Operating Voltage		7.5	8	V
Power Conversion Efficiency	45	48		%
Slope efficiency		4		W/A
Maximum Reverse Voltage			2.0	V
<b>Fiber Parameter</b>				
Fiber Connector		SMA-905		
Fiber Diameter		7		mm
Fiber Core Diameter		2.5		mm
Numerical Aperture		0.22		
<b>TEC Parameters</b>				
Coolant	Distilled Water			V
Water Temperature(No Condensation)	23	25	27	°C
Water Pressure	0.4	0.5	0.6	MPa
Water Flow	4.0	4.5		L/min
Water Filter			20	$\mu$ m