

COE-SE-808-300W-F

Main Features

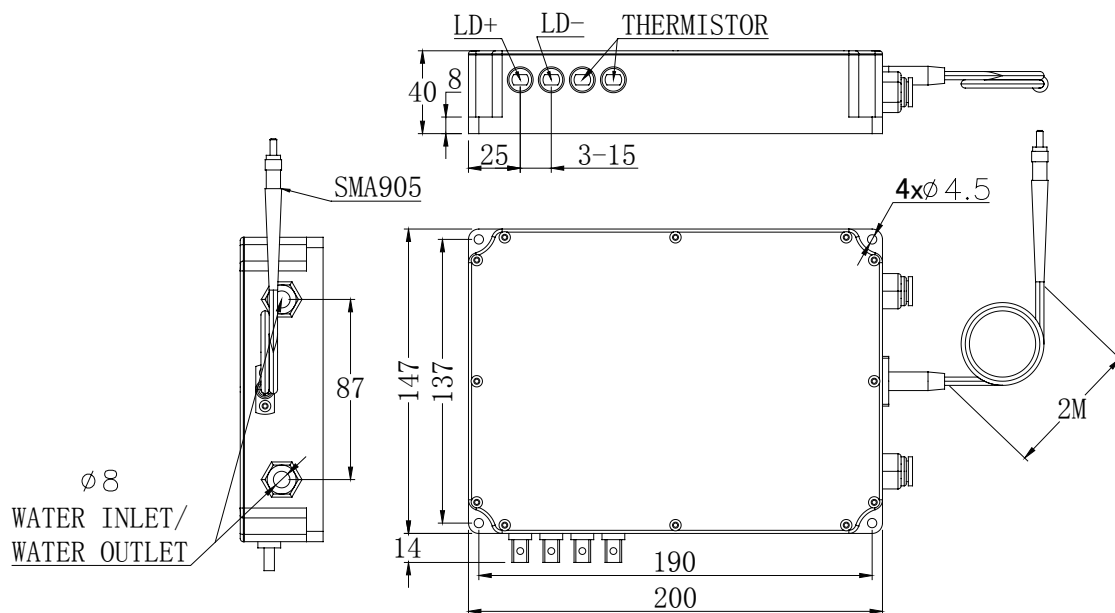
- ◆ AuSn Solder Assembly, Higher Reliability
- ◆ Wavelength 755nm,810nm,1060nm
- ◆ Customized geometries available



Applications

- ◆ Medical & Aesthetics
- ◆ Pumping

Dimensions(mm)



* Customized dimensions available upon request



Characteristics (Typical values T=25° C)				
	Min.	Typ.	Max.	Units
Optical Parameters				
Output Power (CW)		300		W
Central Wavelength	755, 810, 1060			nm
Wavelengths Tolerance	+/-30			nm
Spectra Width($\Delta \lambda$)		5		nm
Wavelength Temperature Coefficient		0.3		nm/°C
Electrical Parameters				
Operating Current			100	A
Threshold Current		15	20	A
Operating Voltage		7.5	8	V
Power Conversion Efficiency	45	48		%
Slope efficiency		4		W/A
Maximum Reverse Voltage			2.0	V
Fiber Parameter				
Fiber Connector		SMA-905		
Fiber Diameter		7		mm
Fiber Core Diameter		2.5		mm
Numerical Aperture		0.22		
TEC Parameters				
Coolant	Distilled Water			V
Water Temperature(No Condensation)	23	25	27	°C
Water Pressure	0.4	0.5	0.6	MPa
Water Flow	4.0	4.5		L/min
Water Filter			20	μ m