

COE-VA20-B13-050CW

Main Features

- ◆ AuSn Solder Assembly, Higher Reliability
- ◆ Single water-cooled bar
- ◆ Wavelength 1064nm
- ◆ Customized geometries available

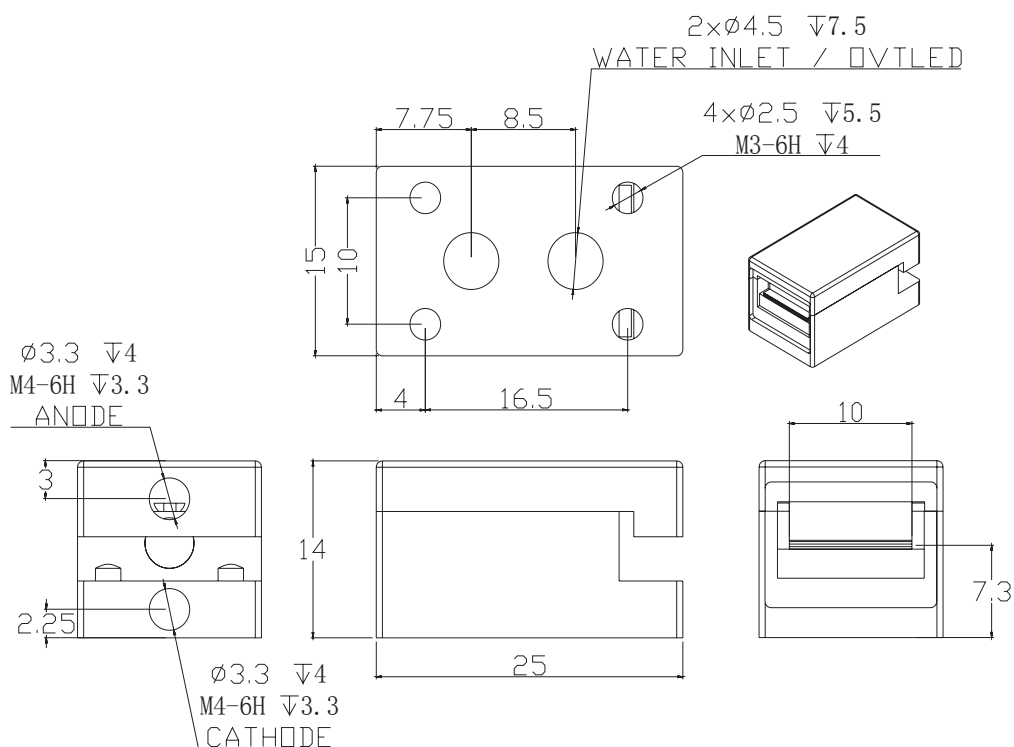


Applications

- ◆ Medical & Aesthetics

Dimensions(mm)

VA20



* Customized dimensions available upon request



Characteristics (Typical values T=25° C)				
	Min.	Typ.	Max.	Units
Output Power (CW)		50		W
Central Wavelength		1060		nm
Wavelengths Tolerance		+/-25		nm
Optical Parameters				
Fast-Axis Divergence (FWHM)		35	38	°
Slow-Axis Divergence (FWHM)		10	12	°
Electrical Parameters				
Operating Current		55	60	A
Threshold Current		7	8	A
Operating Voltage		1.3	1.4	V
Power Conversion Efficiency	60	65		%
Water Parameters				
Coolant	Distilled Water			
Water Temperature(No Condensation)	23	25	27	°C
Water Pressure	0.4	0.5	0.6	MPa
Water Flow	3.0	3.5		L/min
Water Filter			20	μ m