

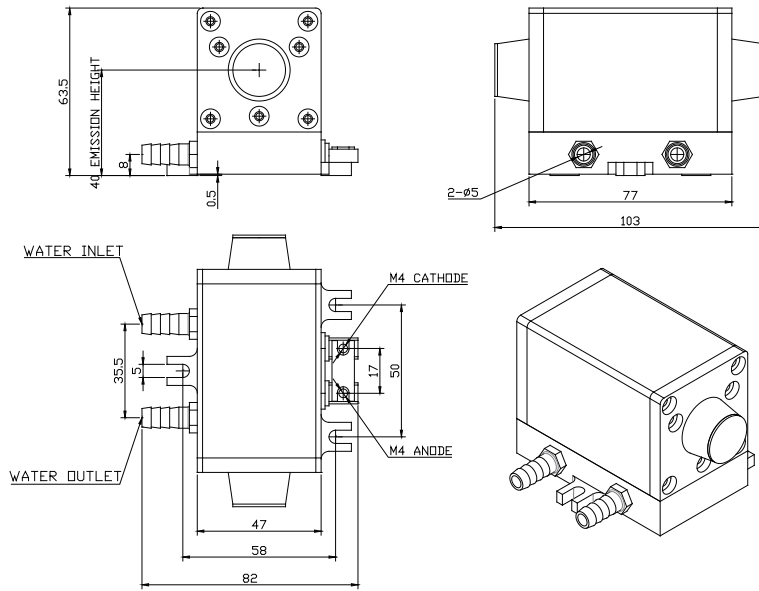
- \*Hard solder assembly technology, Higher reliability
- \*Standard configuration and customer-design package
- \*Optimized OE conversion efficiency

## Nd: YAG Diode Pumped Solid State Laser 1064nm CW

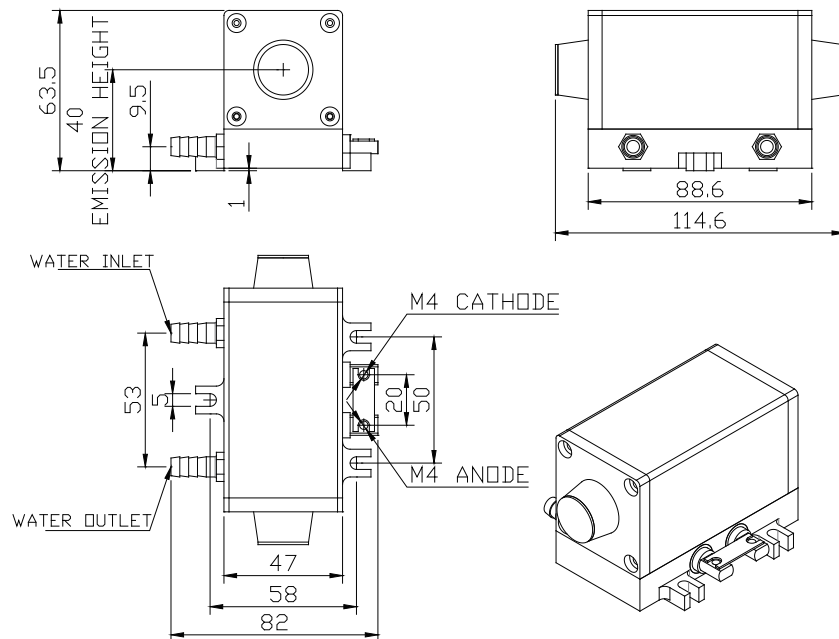
				Unit
CW Power	50	75	100	W
Peak Wavelength	1064	1064	1064	nm
Peak Power Per Bar	30	30	40	W
<b>Optical Parameter</b>				
Number of Bars	9	15	15	
Rod Material	Nd:YAG	Nd:YAG	Nd:YAG	
Rod Diameter	3	3	3	mm
Rod Length	65	67	78	mm
Rod Terminal	Flat / AR	Flat / AR	Flat / AR	
<b>Electrical Parameter</b>				
Operating Current	< 23	< 23	< 30	A
Threshold Current	6.0	7.0	11	A
Operating Voltage	16	26	26	V
<b>Water Parameter</b>				
cooling	Distilled Water			
Water Temperature(No Condensation)	22 ~ 25			°C
Water Pressure	0.5			MPa
Minimum Flow Rate	5.0			lpm
<b>Absolute Maximum Ratings</b>				
Operating Temperature	10 ~ 30			°C
Storage Temperature	-20			°C

Mechanical Drawing (mm)

50W&75W



100W



\*Customized dimension available upon request